



LIGITEK ELECTRONICS CO.,LTD.
Property of Ligitek Only

PHOTO DIODE SILICON PIN LED LAMPS



Lead-Free Parts

LPD63233/A-PF

DATA SHEET

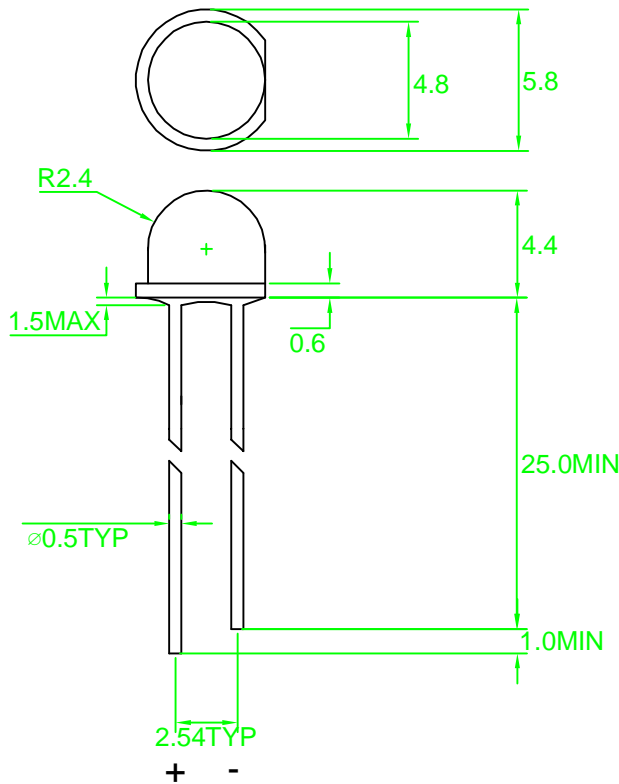
DOC. NO : QW0905-LPD63233/A-PF

REV. : A

DATE : 08 - Oct. - 2014



Package Dimension



NOTE:1.All dimension are In millimeters tolerance Is ± 0.25 unless otherwise noted
2.Specifications are subject to change without notice

Description

The LPD63233/A-PF series are silicon planar P/N photodiodes incorporated in plastic package that simultaneously serve as filter and are also Transparent for infrared emission their terminals are soldering tabs arranged in 2.54mm center to center spacing due to their design the diodes can vertically be assembled on pc boards arrays can be realized by multiple arrangement versatile photodetectors are suitable for diodes as well as voltaic cell operation the signal noise ratio is particularly favorable even at low illuminance the P/N photodiode are outstanding for low junction capacitance high cut-off frequency and fast switching times. They are particularly suitable for IR sound transmission and remote control the cathode of LPD63233/A-PF photodiode is marked by a stamping on the package edge

• MAXIMUM RATINGS (TA=25°C)

Characteristic	Symbol	Rating	Unit
Reverse Break Down Voltage	V _{BR}	30	V
Power Dissipation	PD	150	mW
Operating Temperature	T _{opr}	-30 - +60	°C
Storage Temperature	T _{stg}	-40 - +60	°C

• ELECTRICAL CHARACTERISTICS AT (TA=°C)

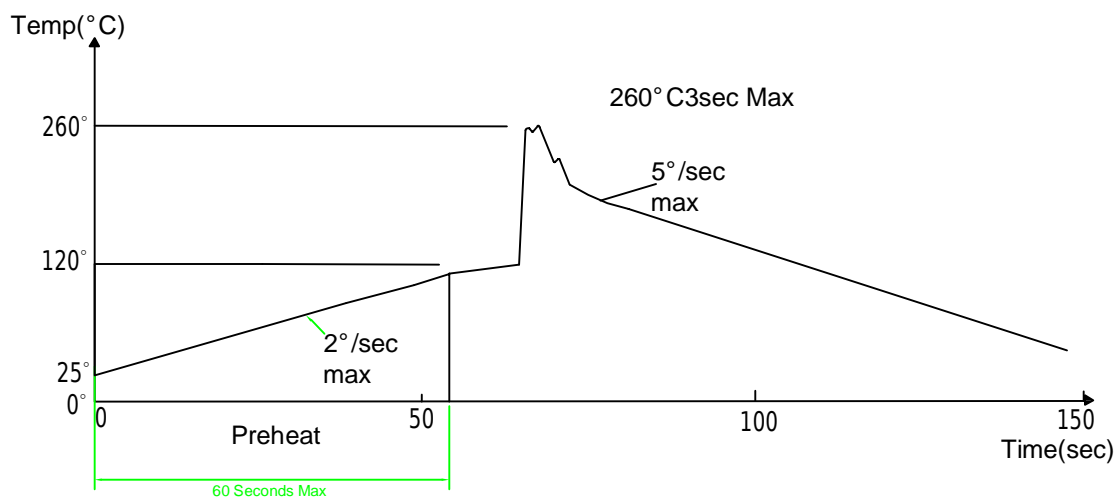
Characteristic	Symbol	Test Condition	Min	Typ	Max	Unit
Dark Current	I _D	V _R =10V E _e =0mW/cm ²	-	1.0	30	nA
Short Circuit Current	I _{sc}	V _R =5V λ P=940nm E _e =0.5mW/cm ²	2.0	3.0	-	uA
Open Circuit Voltage	V _{oc}	λ P=940nm E _e =0.5mW/cm ²	-	350	-	mV
Reverse Light Current	I _{ra}	V _R =5V λ P=940nm E _e =0.5mW/cm ²	2.0	3.0	-	uA
Total Capacitance	C _T	V _R =3V f=1MHZ E _e =0mW/cm ²	-	20	-	pF
Peak Wavelength of Max Sensitivity	λ _{smax}		-	940	-	nm
Rise Time,Fall Time	tr,tf	V _R =10V R _L =1KΩ	-	50	-	ns

Soldering Condition(Pb-Free)**1.Iron:**

Soldering Iron:30W Max
Temperature 350 °C Max
Soldering Time:3 Seconds Max(One Time)
Distance:2mm Min(From solder joint to body)

2.Wave Soldering Profile

Dip Soldering
Preheat: 120° C Max
Preheat time: 60seconds Max
Ramp-up
2° C/sec(max)
Ramp-Down:-5° C/sec(max)
Solder Bath:260° C Max
Dipping Time:3 seconds Max
Distance:2mm Min(From solder joint to body)



Note: 1.Wave solder should not be made more than one time.
2.You can just only select one of the soldering conditions as above.

Reliability Test:

Test Item	Test Condition	Description	Reference Standard
Operating Life Test	1.Under Room Temperature 2.If=20mA 3.t=1000 hrs (-24hrs, +72hrs)	This test is conducted for the purpose of determining the resistance of a part in electrical and thermal stressed.	MIL-STD-750: 1026 MIL-STD-883: 1005 JIS C 7021: B-1
High Temperature Storage Test	1.Ta=105 °C±5°C 2.t=1000 hrs (-24hrs, +72hrs)	The purpose of this is the resistance of the device which is laid under condition of high temperature for hours.	MIL-STD-883:1008 JIS C 7021: B-10
Low Temperature Storage Test	1.Ta=-40 °C±5°C 2.t=1000 hrs (-24hrs, +72hrs)	The purpose of this is the resistance of the device which is laid under condition of low temperature for hours.	JIS C 7021: B-12
High Temperature High Humidity Test	1.Ta=65 °C±5°C 2.RH=90%~95% 3.t=240hrs ±2hrs	The purpose of this test is the resistance of the device under tropical for hours.	MIL-STD-202:103B JIS C 7021: B-11
Thermal Shock Test	1.Ta=105 °C±5°C & -40 °C±5°C (10min) (10min) 2.total 10 cycles	The purpose of this is the resistance of the device to sudden extreme changes in high and low temperature.	MIL-STD-202: 107D MIL-STD-750: 1051 MIL-STD-883: 1011
Solder Resistance Test	1.T.Sol=260 °C±5°C 2.Dwell time= 10 ±1sec.	This test intended to determine the thermal characteristic resistance of the device to sudden exposures at extreme changes in temperature when soldering the lead wire.	MIL-STD-202: 210A MIL-STD-750: 2031 JIS C 7021: A-1
Solderability Test	1.T.Sol=245 °C±5°C 2.Dwell time=5 ±1sec	This test intended to see soldering well performed or not.	MIL-STD-202: 208D MIL-STD-750: 2026 MIL-STD-883: 2003 JIS C 7021: A-2